

SECTION 4: KeroHeat and Similar Brands

Parts Available For:				Parts Available For:			
<u>AMERICAN WICK:</u>	AWHC-2230 (SEE CV2230) AWHR-1100 AWRF-1140	AWOR-2000 AWHR-1101 (SEE CT1100)		<u>KERO-HEAT:</u>	BT1000 CV2230 CT1500 OR-77	CV2000 CT1100 IT1000	CV2200 CT1400 KH-250
<u>DESIGN HOUSE:</u>	2602-49 2606-38	2904-38 2607-38	2605-38	<u>KNAPP MONARCH:</u>	2615-91	2616-58	2617-32
<u>DYNA GLOW:</u>	2601-32	2602-38	2603-32	<u>LESLIE LOCKE:</u>	KH-1 KH-10	KH-4 KH-15	KH-7
<u>ENVIROTEMP:</u> (by KeroHeat)	CT1100/30492 CV2230/30496			<u>LITWIN:</u>	COM110 COM200	COM150	
<u>EVERGLOW:</u>	PE-1 PE-8 PTE-5	PE-2 PE-12 PTE-16	PE-3 PTE-4	<u>LOUDI:</u>	E196	E720	
<u>FANCO:</u> (IMARFLEX)	RAD9600 CONV22	CART100		<u>MEGA:</u>	PE-1 PE-8 230 (SEE CV2230) 110 (SEE CT1100)	PE-2 PTE-4	PE-3 PTE-5
<u>FUTURA:</u>	FH-11/Duke FH-21/Duchess FH-31/Queen FH-41/King FH-51 (not available) PE-8/Emperor			<u>ROBESON:</u>	2602-38 2605-38 2609-58 2616-58 KH5	2602-49 2606-38 2612-32 2617-32 KH6	2604-38 2607-38 2615-91 2619-91
<u>HEATMATE:</u>	K-5 HMHR-1140, 1101 (SEE CT1100) HMHC-2230 (SEE CV2230)	K-10	K-20	<u>SUN HOUSEWARES:</u>	K-72	K-102	K-200
<u>HENRY ISLAND:</u>	FH-11/PE-3 FH-21/PE-2 FH-31/PTE-4 FH-41/PTE-5 PE-8			<u>VAN WYCK:</u>	CONV2000/(2603-32) RAD9600/(2601-32) RAD10500/(2602-32)		
<u>KENROY (Keroheat):</u>	7.2 10.5	10.2 12.3		You need to ADVERTISE to make Consumers AWARE that your store can help them. Call for a FREE Advertising Kit .			



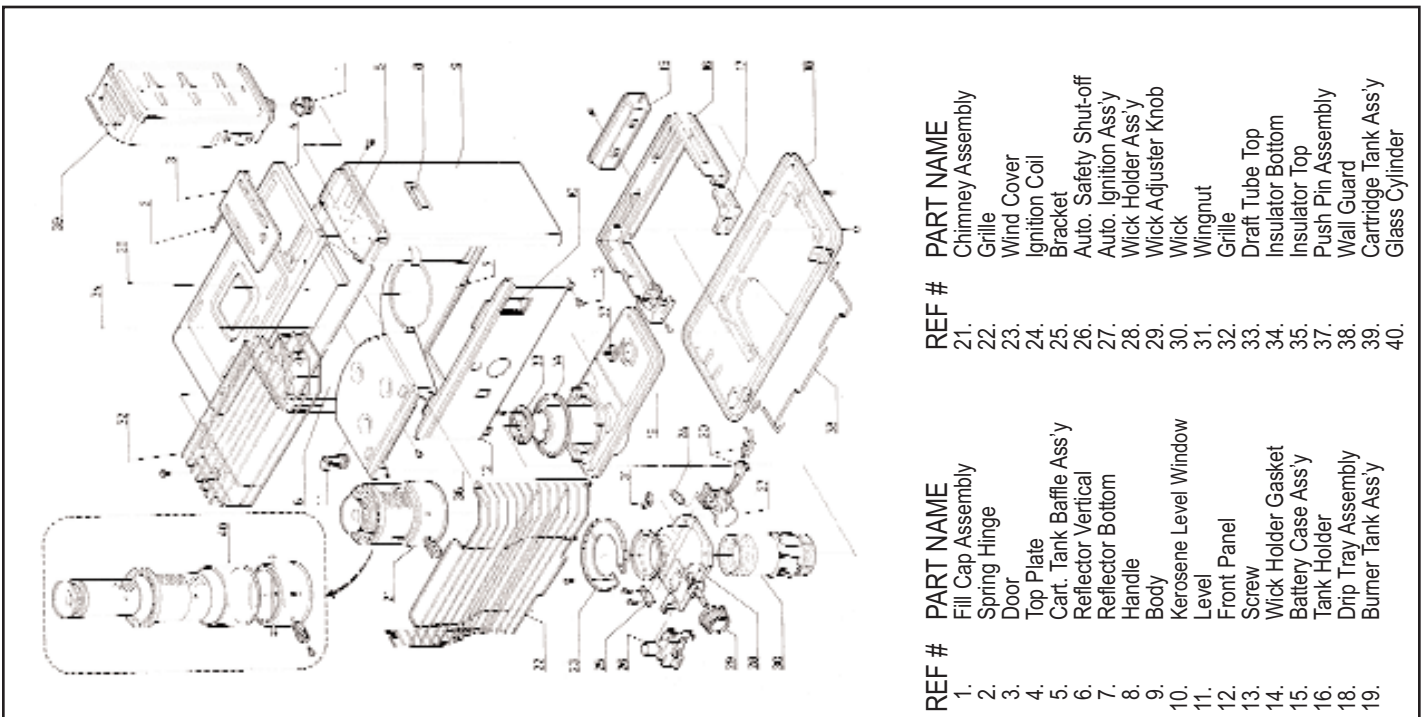
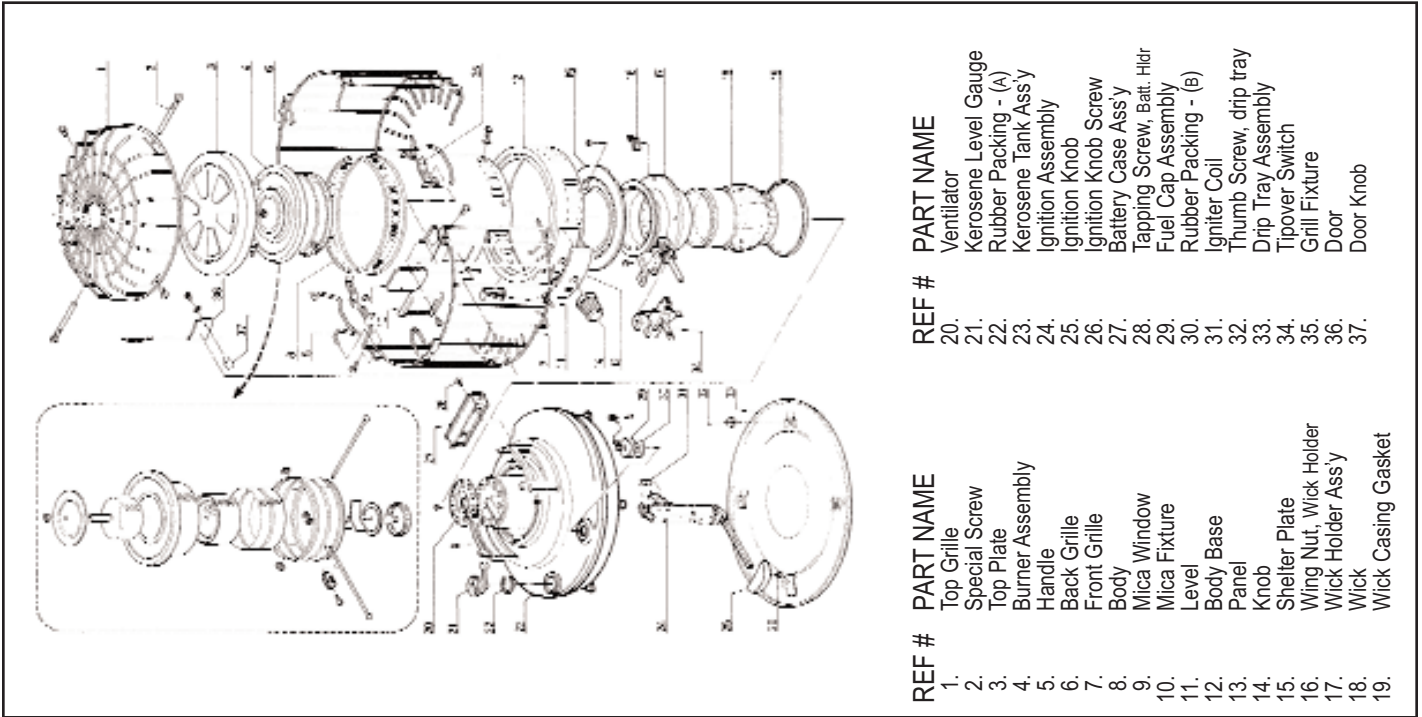
Ask your Customer Service Representative about our **TECHNICAL SERVICE VIDEO!!**



IF YOU DO NOT LOCATE YOUR HEATER MODEL OR PART - PLEASE CALL FOR ADDITIONAL ASSISTANCE.
 TO PLACE AN ORDER - 1-800-233-3202 • TECHNICAL SERVICE - 1-814-643-2299 Page 17

SECTION 4: KeroHeat and Similar Brands

Typical Convection and Radiant Heater



IF YOU DO NOT LOCATE YOUR HEATER MODEL OR PART - PLEASE CALL FOR ADDITIONAL ASSISTANCE.

SECTION 4: KeroHeat & Similar Brands

Rubber Packing/Wickholder Gasket	Filler Cap cont'd	Glass Cylinder, cont'd																																																																																																																																																																																																																																
<table style="width: 100%; border-collapse: collapse;"> <thead> <tr> <th style="text-align: left;"><u>MODEL #</u></th> <th style="text-align: left;"><u>PART #</u></th> </tr> </thead> <tbody> <tr><td>2601-32, BT1000 (Pre 1986)</td><td>04-4601</td></tr> <tr><td>2603-2</td><td>06-4602</td></tr> <tr><td>COM 110</td><td>04-4601</td></tr> <tr><td>COM200, CONV22, K-10</td><td>06-4602</td></tr> <tr><td>CV2000, CV2200</td><td>06-4602</td></tr> <tr><td>CV2230, K-20, KH-250</td><td>06-4602</td></tr> <tr><td>IT1000, K-5, RAD 9600</td><td>04-4601</td></tr> <tr><td colspan="2" style="text-align: center;">CALL FOR ADDITIONAL SELECTION</td></tr> <tr><td colspan="2" style="text-align: center;">Burner Assembly</td></tr> <tr><td>BT1000(Pre 1986), COM110</td><td>04-0107</td></tr> <tr><td>COM200, CONV22, KH250</td><td>06-0103</td></tr> <tr><td>CT1500</td><td>04-0107</td></tr> <tr><td>CV2000, CV2200</td><td>06-0103</td></tr> <tr><td>CV2230, KH-250</td><td>06-0103</td></tr> <tr><td>F960, IT1000, K-5</td><td>04-0107</td></tr> <tr><td>FH-31, 10.2, 10.5</td><td>07-0101</td></tr> <tr><td>K-20, 2603-32</td><td>06-0103</td></tr> <tr><td>KH-1, KH-4, KH-7</td><td>07-0101</td></tr> <tr><td>OR-77</td><td>06-0111</td></tr> <tr><td>PE-1, PE-12, PTE-4, K102</td><td>07-0101</td></tr> <tr><td>RAD9600</td><td>04-0107</td></tr> <tr><td colspan="2" style="text-align: center;">CALL FOR ADDITIONAL SELECTION</td></tr> <tr><td colspan="2" style="text-align: center;">Burner Basket</td></tr> <tr><td colspan="2" style="text-align: center;">CALL FOR INFORMATION</td></tr> <tr><td colspan="2" style="text-align: center;">Filler Cap</td></tr> <tr><td>2601-32, 2603-32</td><td>04-4301</td></tr> <tr><td>2602-32</td><td>06-4302</td></tr> <tr><td>BT1000, COM110, KH250</td><td>04-4301</td></tr> <tr><td>No Packing -Also need 06-4299</td><td></td></tr> <tr><td>CART100, COM150</td><td>06-4302</td></tr> <tr><td>COM200, CONV22</td><td>04-4301</td></tr> <tr><td>No Packing -Also need 06-4299</td><td></td></tr> <tr><td>CT1100, CT1400, CT1500</td><td>06-4302</td></tr> <tr><td>CV2000, CV2200</td><td>04-4301</td></tr> <tr><td>No Packing -Also need 06-4299</td><td></td></tr> <tr><td>CV2230, KH-250</td><td>04-4301</td></tr> <tr><td>No Packing</td><td></td></tr> <tr><td>E196, 10.2</td><td>07-4201</td></tr> </tbody> </table>	<u>MODEL #</u>	<u>PART #</u>	2601-32, BT1000 (Pre 1986)	04-4601	2603-2	06-4602	COM 110	04-4601	COM200, CONV22, K-10	06-4602	CV2000, CV2200	06-4602	CV2230, K-20, KH-250	06-4602	IT1000, K-5, RAD 9600	04-4601	CALL FOR ADDITIONAL SELECTION		Burner Assembly		BT1000(Pre 1986), COM110	04-0107	COM200, CONV22, KH250	06-0103	CT1500	04-0107	CV2000, CV2200	06-0103	CV2230, KH-250	06-0103	F960, IT1000, K-5	04-0107	FH-31, 10.2, 10.5	07-0101	K-20, 2603-32	06-0103	KH-1, KH-4, KH-7	07-0101	OR-77	06-0111	PE-1, PE-12, PTE-4, K102	07-0101	RAD9600	04-0107	CALL FOR ADDITIONAL SELECTION		Burner Basket		CALL FOR INFORMATION		Filler Cap		2601-32, 2603-32	04-4301	2602-32	06-4302	BT1000, COM110, KH250	04-4301	No Packing -Also need 06-4299		CART100, COM150	06-4302	COM200, CONV22	04-4301	No Packing -Also need 06-4299		CT1100, CT1400, CT1500	06-4302	CV2000, CV2200	04-4301	No Packing -Also need 06-4299		CV2230, KH-250	04-4301	No Packing		E196, 10.2	07-4201	<table style="width: 100%; border-collapse: collapse;"> <thead> <tr> <th style="text-align: left;"><u>MODEL #</u></th> <th style="text-align: left;"><u>PART #</u></th> </tr> </thead> <tbody> <tr><td>F960, IT1000, RAD9600</td><td>04-4301</td></tr> <tr><td>No Packing</td><td></td></tr> <tr><td>K-5, K-20</td><td>04-4301</td></tr> <tr><td>K-10</td><td>06-4302</td></tr> <tr><td>K-200</td><td>07-4201</td></tr> <tr><td>KH-4, KH-5, KH-15</td><td>02-4201</td></tr> <tr><td>KH-6</td><td>02-4202</td></tr> <tr><td>PE-1, PE-3, PE-8, PE-12</td><td>07-4201</td></tr> <tr><td colspan="2" style="text-align: center;">Front Plate/Ring</td></tr> <tr><td colspan="2" style="text-align: center;">CALL FOR INFORMATION</td></tr> <tr><td colspan="2" style="text-align: center;">Fuel Gauge</td></tr> <tr><td colspan="2" style="text-align: center;">CALL FOR INFORMATION</td></tr> <tr><td colspan="2" style="text-align: center;">Fuel Tank</td></tr> <tr><td>PTE-4(New)(6.63 X 4 X 14.5) cart.</td><td>01-4103</td></tr> <tr><td colspan="2" style="text-align: center;">CALL FOR ADDITIONAL SELECTION</td></tr> <tr><td colspan="2" style="text-align: center;">Fuel Receiver Pin</td></tr> <tr><td>KH-6</td><td>02-4403</td></tr> <tr><td colspan="2" style="text-align: center;">Glass Cylinder</td></tr> <tr><td>2601-32</td><td>06-0502</td></tr> <tr><td>2606-38</td><td>06-0501</td></tr> <tr><td>2609-58, 2602-49</td><td>06-0503</td></tr> <tr><td>2604-38, 2605-38</td><td>06-0503</td></tr> <tr><td>2607-38, 2616-58</td><td>06-0503</td></tr> <tr><td>2619-91, CT1500</td><td>06-0503</td></tr> <tr><td>AWHR1101</td><td>06-0512</td></tr> <tr><td>BT1000, CART100</td><td>06-0502</td></tr> <tr><td>COM110, COM150</td><td>06-0502</td></tr> <tr><td>CT1100</td><td>06-0503</td></tr> <tr><td>CT1400</td><td>06-0502</td></tr> <tr><td>E720, FH-21, 7.2, K-12</td><td>01-0513</td></tr> <tr><td>FH-31, 10.2, 10.5 (3 1/8" High)</td><td>01-0505</td></tr> <tr><td>FH-41, 12.3, KH-10</td><td>01-0503</td></tr> <tr><td>IT1000, K-5, K-10</td><td>06-0502</td></tr> <tr><td>KH-4, KH-7 (3 1/8" High)</td><td>01-0505</td></tr> </tbody> </table>	<u>MODEL #</u>	<u>PART #</u>	F960, IT1000, RAD9600	04-4301	No Packing		K-5, K-20	04-4301	K-10	06-4302	K-200	07-4201	KH-4, KH-5, KH-15	02-4201	KH-6	02-4202	PE-1, PE-3, PE-8, PE-12	07-4201	Front Plate/Ring		CALL FOR INFORMATION		Fuel Gauge		CALL FOR INFORMATION		Fuel Tank		PTE-4(New)(6.63 X 4 X 14.5) cart.	01-4103	CALL FOR ADDITIONAL SELECTION		Fuel Receiver Pin		KH-6	02-4403	Glass Cylinder		2601-32	06-0502	2606-38	06-0501	2609-58, 2602-49	06-0503	2604-38, 2605-38	06-0503	2607-38, 2616-58	06-0503	2619-91, CT1500	06-0503	AWHR1101	06-0512	BT1000, CART100	06-0502	COM110, COM150	06-0502	CT1100	06-0503	CT1400	06-0502	E720, FH-21, 7.2, K-12	01-0513	FH-31, 10.2, 10.5 (3 1/8" High)	01-0505	FH-41, 12.3, KH-10	01-0503	IT1000, K-5, K-10	06-0502	KH-4, KH-7 (3 1/8" High)	01-0505	<table style="width: 100%; border-collapse: collapse;"> <thead> <tr> <th style="text-align: left;"><u>MODEL #</u></th> <th style="text-align: left;"><u>PART #</u></th> </tr> </thead> <tbody> <tr><td>KH-6</td><td>02-0505</td></tr> <tr><td>PE-1, PE-12(Old) (3 1/8" High)</td><td>01-0505</td></tr> <tr><td>PE-2</td><td>01-0513</td></tr> <tr><td>PTE-4(Old), K102 (3 1/8" High)</td><td>01-0505</td></tr> <tr><td>PTE-5</td><td>01-0503</td></tr> <tr><td>RAD9600</td><td>06-0502</td></tr> <tr><td>SCT1100</td><td>06-0512</td></tr> <tr><td colspan="2" style="text-align: center;">Grill Guard</td></tr> <tr><td colspan="2" style="text-align: center;">CALL FOR INFORMATION</td></tr> <tr><td colspan="2" style="text-align: center;">Ignition Device</td></tr> <tr><td>10.2</td><td>01-2012</td></tr> <tr><td>10.5, 12.3</td><td>01-2010</td></tr> <tr><td>FH-31, FH-41, K102, 10.5</td><td>01-2010</td></tr> <tr><td>KH-1, KH-4, KH-10, 10.2</td><td>01-2012</td></tr> <tr><td>KH-7, PE-2, PTE-4, 12.3</td><td>01-2010</td></tr> <tr><td>PE-1, PE-12</td><td>01-2012</td></tr> <tr><td>PE-3</td><td>07-2002</td></tr> <tr><td>PTE-5, PTE-16</td><td>01-2012</td></tr> <tr><td colspan="2" style="text-align: center;">CALL FOR ADDITIONAL SELECTION</td></tr> <tr><td colspan="2" style="text-align: center;">Ratchet</td></tr> <tr><td>2606-38</td><td>06-9607</td></tr> <tr><td colspan="2" style="text-align: center;">Return Spring</td></tr> <tr><td>2602-38, 2602-49</td><td>06-9604</td></tr> <tr><td>2604-38, 2605-38</td><td>06-9604</td></tr> <tr><td>2606-38, 2612-32</td><td>06-9603</td></tr> <tr><td>2607-38, 2609-58</td><td>06-9604</td></tr> <tr><td>2615-91, 2617-32</td><td>06-9603</td></tr> <tr><td>2616-58, 2619-91</td><td>06-9604</td></tr> <tr><td colspan="2" style="text-align: center;">Shut-Off Device</td></tr> <tr><td>100, 2601-32, 2602-32</td><td>06-3002</td></tr> <tr><td>BT1000(Pre1986), CT1500</td><td>06-3002</td></tr> <tr><td>BT1000(1986), CART100</td><td>NLA</td></tr> <tr><td>COM110, COM150</td><td>NLA</td></tr> <tr><td>COM200, CONV22</td><td>06-3003</td></tr> <tr><td>CT1100, CT1400, K-10</td><td>NLA</td></tr> <tr><td>CV2000, CV2200, K-20</td><td>06-3003</td></tr> <tr><td>CV2230, 2603-32, KH250</td><td>06-3003</td></tr> </tbody> </table>	<u>MODEL #</u>	<u>PART #</u>	KH-6	02-0505	PE-1, PE-12(Old) (3 1/8" High)	01-0505	PE-2	01-0513	PTE-4(Old), K102 (3 1/8" High)	01-0505	PTE-5	01-0503	RAD9600	06-0502	SCT1100	06-0512	Grill Guard		CALL FOR INFORMATION		Ignition Device		10.2	01-2012	10.5, 12.3	01-2010	FH-31, FH-41, K102, 10.5	01-2010	KH-1, KH-4, KH-10, 10.2	01-2012	KH-7, PE-2, PTE-4, 12.3	01-2010	PE-1, PE-12	01-2012	PE-3	07-2002	PTE-5, PTE-16	01-2012	CALL FOR ADDITIONAL SELECTION		Ratchet		2606-38	06-9607	Return Spring		2602-38, 2602-49	06-9604	2604-38, 2605-38	06-9604	2606-38, 2612-32	06-9603	2607-38, 2609-58	06-9604	2615-91, 2617-32	06-9603	2616-58, 2619-91	06-9604	Shut-Off Device		100, 2601-32, 2602-32	06-3002	BT1000(Pre1986), CT1500	06-3002	BT1000(1986), CART100	NLA	COM110, COM150	NLA	COM200, CONV22	06-3003	CT1100, CT1400, K-10	NLA	CV2000, CV2200, K-20	06-3003	CV2230, 2603-32, KH250	06-3003
<u>MODEL #</u>	<u>PART #</u>																																																																																																																																																																																																																																	
2601-32, BT1000 (Pre 1986)	04-4601																																																																																																																																																																																																																																	
2603-2	06-4602																																																																																																																																																																																																																																	
COM 110	04-4601																																																																																																																																																																																																																																	
COM200, CONV22, K-10	06-4602																																																																																																																																																																																																																																	
CV2000, CV2200	06-4602																																																																																																																																																																																																																																	
CV2230, K-20, KH-250	06-4602																																																																																																																																																																																																																																	
IT1000, K-5, RAD 9600	04-4601																																																																																																																																																																																																																																	
CALL FOR ADDITIONAL SELECTION																																																																																																																																																																																																																																		
Burner Assembly																																																																																																																																																																																																																																		
BT1000(Pre 1986), COM110	04-0107																																																																																																																																																																																																																																	
COM200, CONV22, KH250	06-0103																																																																																																																																																																																																																																	
CT1500	04-0107																																																																																																																																																																																																																																	
CV2000, CV2200	06-0103																																																																																																																																																																																																																																	
CV2230, KH-250	06-0103																																																																																																																																																																																																																																	
F960, IT1000, K-5	04-0107																																																																																																																																																																																																																																	
FH-31, 10.2, 10.5	07-0101																																																																																																																																																																																																																																	
K-20, 2603-32	06-0103																																																																																																																																																																																																																																	
KH-1, KH-4, KH-7	07-0101																																																																																																																																																																																																																																	
OR-77	06-0111																																																																																																																																																																																																																																	
PE-1, PE-12, PTE-4, K102	07-0101																																																																																																																																																																																																																																	
RAD9600	04-0107																																																																																																																																																																																																																																	
CALL FOR ADDITIONAL SELECTION																																																																																																																																																																																																																																		
Burner Basket																																																																																																																																																																																																																																		
CALL FOR INFORMATION																																																																																																																																																																																																																																		
Filler Cap																																																																																																																																																																																																																																		
2601-32, 2603-32	04-4301																																																																																																																																																																																																																																	
2602-32	06-4302																																																																																																																																																																																																																																	
BT1000, COM110, KH250	04-4301																																																																																																																																																																																																																																	
No Packing -Also need 06-4299																																																																																																																																																																																																																																		
CART100, COM150	06-4302																																																																																																																																																																																																																																	
COM200, CONV22	04-4301																																																																																																																																																																																																																																	
No Packing -Also need 06-4299																																																																																																																																																																																																																																		
CT1100, CT1400, CT1500	06-4302																																																																																																																																																																																																																																	
CV2000, CV2200	04-4301																																																																																																																																																																																																																																	
No Packing -Also need 06-4299																																																																																																																																																																																																																																		
CV2230, KH-250	04-4301																																																																																																																																																																																																																																	
No Packing																																																																																																																																																																																																																																		
E196, 10.2	07-4201																																																																																																																																																																																																																																	
<u>MODEL #</u>	<u>PART #</u>																																																																																																																																																																																																																																	
F960, IT1000, RAD9600	04-4301																																																																																																																																																																																																																																	
No Packing																																																																																																																																																																																																																																		
K-5, K-20	04-4301																																																																																																																																																																																																																																	
K-10	06-4302																																																																																																																																																																																																																																	
K-200	07-4201																																																																																																																																																																																																																																	
KH-4, KH-5, KH-15	02-4201																																																																																																																																																																																																																																	
KH-6	02-4202																																																																																																																																																																																																																																	
PE-1, PE-3, PE-8, PE-12	07-4201																																																																																																																																																																																																																																	
Front Plate/Ring																																																																																																																																																																																																																																		
CALL FOR INFORMATION																																																																																																																																																																																																																																		
Fuel Gauge																																																																																																																																																																																																																																		
CALL FOR INFORMATION																																																																																																																																																																																																																																		
Fuel Tank																																																																																																																																																																																																																																		
PTE-4(New)(6.63 X 4 X 14.5) cart.	01-4103																																																																																																																																																																																																																																	
CALL FOR ADDITIONAL SELECTION																																																																																																																																																																																																																																		
Fuel Receiver Pin																																																																																																																																																																																																																																		
KH-6	02-4403																																																																																																																																																																																																																																	
Glass Cylinder																																																																																																																																																																																																																																		
2601-32	06-0502																																																																																																																																																																																																																																	
2606-38	06-0501																																																																																																																																																																																																																																	
2609-58, 2602-49	06-0503																																																																																																																																																																																																																																	
2604-38, 2605-38	06-0503																																																																																																																																																																																																																																	
2607-38, 2616-58	06-0503																																																																																																																																																																																																																																	
2619-91, CT1500	06-0503																																																																																																																																																																																																																																	
AWHR1101	06-0512																																																																																																																																																																																																																																	
BT1000, CART100	06-0502																																																																																																																																																																																																																																	
COM110, COM150	06-0502																																																																																																																																																																																																																																	
CT1100	06-0503																																																																																																																																																																																																																																	
CT1400	06-0502																																																																																																																																																																																																																																	
E720, FH-21, 7.2, K-12	01-0513																																																																																																																																																																																																																																	
FH-31, 10.2, 10.5 (3 1/8" High)	01-0505																																																																																																																																																																																																																																	
FH-41, 12.3, KH-10	01-0503																																																																																																																																																																																																																																	
IT1000, K-5, K-10	06-0502																																																																																																																																																																																																																																	
KH-4, KH-7 (3 1/8" High)	01-0505																																																																																																																																																																																																																																	
<u>MODEL #</u>	<u>PART #</u>																																																																																																																																																																																																																																	
KH-6	02-0505																																																																																																																																																																																																																																	
PE-1, PE-12(Old) (3 1/8" High)	01-0505																																																																																																																																																																																																																																	
PE-2	01-0513																																																																																																																																																																																																																																	
PTE-4(Old), K102 (3 1/8" High)	01-0505																																																																																																																																																																																																																																	
PTE-5	01-0503																																																																																																																																																																																																																																	
RAD9600	06-0502																																																																																																																																																																																																																																	
SCT1100	06-0512																																																																																																																																																																																																																																	
Grill Guard																																																																																																																																																																																																																																		
CALL FOR INFORMATION																																																																																																																																																																																																																																		
Ignition Device																																																																																																																																																																																																																																		
10.2	01-2012																																																																																																																																																																																																																																	
10.5, 12.3	01-2010																																																																																																																																																																																																																																	
FH-31, FH-41, K102, 10.5	01-2010																																																																																																																																																																																																																																	
KH-1, KH-4, KH-10, 10.2	01-2012																																																																																																																																																																																																																																	
KH-7, PE-2, PTE-4, 12.3	01-2010																																																																																																																																																																																																																																	
PE-1, PE-12	01-2012																																																																																																																																																																																																																																	
PE-3	07-2002																																																																																																																																																																																																																																	
PTE-5, PTE-16	01-2012																																																																																																																																																																																																																																	
CALL FOR ADDITIONAL SELECTION																																																																																																																																																																																																																																		
Ratchet																																																																																																																																																																																																																																		
2606-38	06-9607																																																																																																																																																																																																																																	
Return Spring																																																																																																																																																																																																																																		
2602-38, 2602-49	06-9604																																																																																																																																																																																																																																	
2604-38, 2605-38	06-9604																																																																																																																																																																																																																																	
2606-38, 2612-32	06-9603																																																																																																																																																																																																																																	
2607-38, 2609-58	06-9604																																																																																																																																																																																																																																	
2615-91, 2617-32	06-9603																																																																																																																																																																																																																																	
2616-58, 2619-91	06-9604																																																																																																																																																																																																																																	
Shut-Off Device																																																																																																																																																																																																																																		
100, 2601-32, 2602-32	06-3002																																																																																																																																																																																																																																	
BT1000(Pre1986), CT1500	06-3002																																																																																																																																																																																																																																	
BT1000(1986), CART100	NLA																																																																																																																																																																																																																																	
COM110, COM150	NLA																																																																																																																																																																																																																																	
COM200, CONV22	06-3003																																																																																																																																																																																																																																	
CT1100, CT1400, K-10	NLA																																																																																																																																																																																																																																	
CV2000, CV2200, K-20	06-3003																																																																																																																																																																																																																																	
CV2230, 2603-32, KH250	06-3003																																																																																																																																																																																																																																	

IF YOU DO NOT LOCATE YOUR HEATER MODEL OR PART - PLEASE CALL FOR ADDITIONAL ASSISTANCE.
 TO PLACE AN ORDER - 1-800-233-3202 • TECHNICAL SERVICE - 1-814-643-2299 Page 19

SECTION 4: KeroHeat & Similar Brands

Shut-Off Device cont'd	Wick Control Shaft	Miscellaneous Parts																																																																																																																																																																												
<table style="width: 100%; border-collapse: collapse;"> <thead> <tr> <th style="text-align: left;">MODEL #</th> <th style="text-align: left;">PART #</th> </tr> </thead> <tbody> <tr><td>E196, FH-11, 10.2</td><td>07-3002</td></tr> <tr><td>FH-31, FH-41</td><td>01-3013</td></tr> <tr><td>IT1000, K-5, RAD9600</td><td>06-3002</td></tr> <tr><td>K102, KH-10, 10.5,12.3</td><td>01-3013</td></tr> <tr><td>K200, KH-1,4,15</td><td>07-3002</td></tr> <tr><td>KH-250</td><td>06-3003</td></tr> <tr><td>PE-1, 3, 8, 12</td><td>07-3002</td></tr> <tr><td>PE-2</td><td>07-3001</td></tr> <tr><td>PTE-4, PTE-5, PTE-16</td><td>01-3013</td></tr> </tbody> </table> <table style="width: 100%; border-collapse: collapse;"> <thead> <tr> <th colspan="2" style="text-align: center;">Wick Adjuster Unit</th> </tr> </thead> <tbody> <tr><td>2603-32 w/o weight -w/o knob</td><td>06-1003</td></tr> <tr><td>BT1000⁽¹⁹⁸⁶⁾ w/o knob</td><td>06-1004</td></tr> <tr><td>CART100,COM150 w/o knob</td><td>06-1004</td></tr> <tr><td>COM200 w/o weight -w/o knob</td><td>06-1003</td></tr> <tr><td>CONV22 w/o weight -w/o knob</td><td>06-1003</td></tr> <tr><td>CT1100, CT1400 w/o knob</td><td>06-1004</td></tr> <tr><td>CV2200 w/o weight -w/o knob</td><td>06-1003</td></tr> <tr><td>CV2230 w/o weight -w/o knob</td><td>06-1003</td></tr> <tr><td>K-20, KH250 w/o weight, knob</td><td>06-1003</td></tr> <tr><td>K10 w/o knob</td><td>06-1004</td></tr> <tr><td>KH-5</td><td>02-1011</td></tr> </tbody> </table> <table style="width: 100%; border-collapse: collapse;"> <thead> <tr> <th colspan="2" style="text-align: center;">Wick Adjuster Knob</th> </tr> </thead> <tbody> <tr><td>100, 2602-32</td><td>04-1710</td></tr> <tr><td>2601-32, 2603-32</td><td>06-1705</td></tr> <tr><td>2612-32</td><td>06-1705</td></tr> <tr><td>BT1000</td><td>06-1705</td></tr> <tr><td>BT1000⁽¹⁹⁸⁶⁾ All 1-piece</td><td>06-1706</td></tr> <tr><td>CART100 All 1-piece</td><td>06-1706</td></tr> <tr><td>COM110, COM200</td><td>06-1705</td></tr> <tr><td>COM150, CT1100 All 1-piece</td><td>06-1705</td></tr> <tr><td>CONV22, K-5, K-20</td><td>06-1705</td></tr> <tr><td>CT1400, K-10 All 1-piece</td><td>06-1706</td></tr> <tr><td>CT1500</td><td>04-1710</td></tr> <tr><td>CV2000,CV2200,CV2230</td><td>08-1724</td></tr> <tr><td>IT1000,RAD9600, KH250</td><td>08-1724</td></tr> <tr><td>KH-5</td><td>02-1704</td></tr> <tr><td>HMHC2230</td><td>08-1723</td></tr> <tr><td>HMHR1101</td><td>08-1700</td></tr> <tr><td>KH-6</td><td>02-1708</td></tr> <tr><td>KH-6 (Ign. Lever Knob)</td><td>02-1709</td></tr> <tr><td>OR-77</td><td>08-1724</td></tr> <tr><td>All Other Everglo & Similar Brands</td><td>07-1706</td></tr> </tbody> </table>	MODEL #	PART #	E196, FH-11, 10.2	07-3002	FH-31, FH-41	01-3013	IT1000, K-5, RAD9600	06-3002	K102, KH-10, 10.5,12.3	01-3013	K200, KH-1,4,15	07-3002	KH-250	06-3003	PE-1, 3, 8, 12	07-3002	PE-2	07-3001	PTE-4, PTE-5, PTE-16	01-3013	Wick Adjuster Unit		2603-32 w/o weight -w/o knob	06-1003	BT1000 ⁽¹⁹⁸⁶⁾ w/o knob	06-1004	CART100,COM150 w/o knob	06-1004	COM200 w/o weight -w/o knob	06-1003	CONV22 w/o weight -w/o knob	06-1003	CT1100, CT1400 w/o knob	06-1004	CV2200 w/o weight -w/o knob	06-1003	CV2230 w/o weight -w/o knob	06-1003	K-20, KH250 w/o weight, knob	06-1003	K10 w/o knob	06-1004	KH-5	02-1011	Wick Adjuster Knob		100, 2602-32	04-1710	2601-32, 2603-32	06-1705	2612-32	06-1705	BT1000	06-1705	BT1000 ⁽¹⁹⁸⁶⁾ All 1-piece	06-1706	CART100 All 1-piece	06-1706	COM110, COM200	06-1705	COM150, CT1100 All 1-piece	06-1705	CONV22, K-5, K-20	06-1705	CT1400, K-10 All 1-piece	06-1706	CT1500	04-1710	CV2000,CV2200,CV2230	08-1724	IT1000,RAD9600, KH250	08-1724	KH-5	02-1704	HMHC2230	08-1723	HMHR1101	08-1700	KH-6	02-1708	KH-6 (Ign. Lever Knob)	02-1709	OR-77	08-1724	All Other Everglo & Similar Brands	07-1706	<table style="width: 100%; border-collapse: collapse;"> <thead> <tr> <th style="text-align: left;">MODEL #</th> <th style="text-align: left;">PART #</th> </tr> </thead> <tbody> <tr><td>10.2, FH-11, KH-1, KH4,</td><td>01-1016</td></tr> <tr><td>PE-1, PE-12, PE-3</td><td>01-1016</td></tr> </tbody> </table> <p style="font-size: small;">(All Old Style)Takes 1-Piece Knob</p> <table style="width: 100%; border-collapse: collapse;"> <thead> <tr> <th colspan="2" style="text-align: center;">Wick Holder</th> </tr> </thead> <tbody> <tr><td>BT1000⁽¹⁹⁸⁶⁾, CART100</td><td>NLA</td></tr> <tr><td>COM150, CT1100</td><td>NLA</td></tr> <tr><td>CT1400, K-10</td><td>NLA</td></tr> <tr><td>KH-5</td><td>02-1207</td></tr> <tr><td>KH-6</td><td>02-1206</td></tr> <tr><td>PE-12</td><td>07-1103</td></tr> <tr><td>PTE-4</td><td>07-1104</td></tr> </tbody> </table> <p style="text-align: center;">CALL FOR MORE INFORMATION</p> <table style="width: 100%; border-collapse: collapse;"> <thead> <tr> <th colspan="2" style="text-align: center;">Wick Stop Cam</th> </tr> </thead> <tbody> <tr><td>2609-58, 2612-32</td><td>06-9601</td></tr> <tr><td>2615-91</td><td>06-9602</td></tr> <tr><td>2616-58,2617-32,2619-91</td><td>06-9601</td></tr> </tbody> </table> <table style="width: 100%; border-collapse: collapse;"> <thead> <tr> <th colspan="2" style="text-align: center;">Wire Net</th> </tr> </thead> <tbody> <tr><td>7.2, E720, FH-21, K-72</td><td>01-0307</td></tr> <tr><td>10.5, PTE-4, FH-31</td><td>01-0303</td></tr> <tr><td>K102, KH-7, PE-12</td><td>01-0303</td></tr> <tr><td>PE-2</td><td>01-0307</td></tr> <tr><td>FH-51</td><td>07-0301</td></tr> </tbody> </table>	MODEL #	PART #	10.2, FH-11, KH-1, KH4,	01-1016	PE-1, PE-12, PE-3	01-1016	Wick Holder		BT1000 ⁽¹⁹⁸⁶⁾ , CART100	NLA	COM150, CT1100	NLA	CT1400, K-10	NLA	KH-5	02-1207	KH-6	02-1206	PE-12	07-1103	PTE-4	07-1104	Wick Stop Cam		2609-58, 2612-32	06-9601	2615-91	06-9602	2616-58,2617-32,2619-91	06-9601	Wire Net		7.2, E720, FH-21, K-72	01-0307	10.5, PTE-4, FH-31	01-0303	K102, KH-7, PE-12	01-0303	PE-2	01-0307	FH-51	07-0301	<table style="width: 100%; border-collapse: collapse;"> <thead> <tr> <th style="text-align: left;">MODEL #</th> <th style="text-align: left;">PART #</th> </tr> </thead> <tbody> <tr><td>Battery Case - all</td><td>04-2109</td></tr> <tr><td>Battery Case Cover - all</td><td>07-2401</td></tr> <tr><td>Drip Tray</td><td></td></tr> <tr><td style="padding-left: 20px;">PTE-4 (brown)</td><td>07-5201</td></tr> <tr><td style="padding-left: 20px;">PE-8</td><td>07-5202</td></tr> <tr><td>Igniter Knob</td><td></td></tr> <tr><td style="padding-left: 20px;">CV Series</td><td>06-2305</td></tr> <tr><td>Ignition Lever</td><td></td></tr> <tr><td style="padding-left: 20px;">PE-8</td><td>07-2201</td></tr> <tr><td style="padding-left: 20px;">PE-12</td><td>07-2202</td></tr> <tr><td>Power Cord - PE-16</td><td>07-2601</td></tr> <tr><td>Reset Lever</td><td>04-3202</td></tr> <tr><td style="padding-left: 20px;">All KeroHeat & Similar Brand</td><td></td></tr> <tr><td>Shaft Packing</td><td>06-9610</td></tr> <tr><td style="padding-left: 20px;">All KeroHeat & Similar Brand</td><td></td></tr> <tr><td>Thumbscrew</td><td>05-9501</td></tr> <tr><td style="padding-left: 20px;">PE-8</td><td></td></tr> <tr><td>Wing Nut</td><td>01-9401</td></tr> <tr><td style="padding-left: 20px;">All Everglo & Similar Brands</td><td></td></tr> <tr><td>Wire Coil</td><td>04-0201</td></tr> <tr><td style="padding-left: 20px;">All</td><td></td></tr> </tbody> </table> <p style="text-align: center;">PLEASE REFER TO OWNERS MANUAL BEFORE ATTEMPTING ANY REPAIR OR SERVICE.</p>	MODEL #	PART #	Battery Case - all	04-2109	Battery Case Cover - all	07-2401	Drip Tray		PTE-4 (brown)	07-5201	PE-8	07-5202	Igniter Knob		CV Series	06-2305	Ignition Lever		PE-8	07-2201	PE-12	07-2202	Power Cord - PE-16	07-2601	Reset Lever	04-3202	All KeroHeat & Similar Brand		Shaft Packing	06-9610	All KeroHeat & Similar Brand		Thumbscrew	05-9501	PE-8		Wing Nut	01-9401	All Everglo & Similar Brands		Wire Coil	04-0201	All	
MODEL #	PART #																																																																																																																																																																													
E196, FH-11, 10.2	07-3002																																																																																																																																																																													
FH-31, FH-41	01-3013																																																																																																																																																																													
IT1000, K-5, RAD9600	06-3002																																																																																																																																																																													
K102, KH-10, 10.5,12.3	01-3013																																																																																																																																																																													
K200, KH-1,4,15	07-3002																																																																																																																																																																													
KH-250	06-3003																																																																																																																																																																													
PE-1, 3, 8, 12	07-3002																																																																																																																																																																													
PE-2	07-3001																																																																																																																																																																													
PTE-4, PTE-5, PTE-16	01-3013																																																																																																																																																																													
Wick Adjuster Unit																																																																																																																																																																														
2603-32 w/o weight -w/o knob	06-1003																																																																																																																																																																													
BT1000 ⁽¹⁹⁸⁶⁾ w/o knob	06-1004																																																																																																																																																																													
CART100,COM150 w/o knob	06-1004																																																																																																																																																																													
COM200 w/o weight -w/o knob	06-1003																																																																																																																																																																													
CONV22 w/o weight -w/o knob	06-1003																																																																																																																																																																													
CT1100, CT1400 w/o knob	06-1004																																																																																																																																																																													
CV2200 w/o weight -w/o knob	06-1003																																																																																																																																																																													
CV2230 w/o weight -w/o knob	06-1003																																																																																																																																																																													
K-20, KH250 w/o weight, knob	06-1003																																																																																																																																																																													
K10 w/o knob	06-1004																																																																																																																																																																													
KH-5	02-1011																																																																																																																																																																													
Wick Adjuster Knob																																																																																																																																																																														
100, 2602-32	04-1710																																																																																																																																																																													
2601-32, 2603-32	06-1705																																																																																																																																																																													
2612-32	06-1705																																																																																																																																																																													
BT1000	06-1705																																																																																																																																																																													
BT1000 ⁽¹⁹⁸⁶⁾ All 1-piece	06-1706																																																																																																																																																																													
CART100 All 1-piece	06-1706																																																																																																																																																																													
COM110, COM200	06-1705																																																																																																																																																																													
COM150, CT1100 All 1-piece	06-1705																																																																																																																																																																													
CONV22, K-5, K-20	06-1705																																																																																																																																																																													
CT1400, K-10 All 1-piece	06-1706																																																																																																																																																																													
CT1500	04-1710																																																																																																																																																																													
CV2000,CV2200,CV2230	08-1724																																																																																																																																																																													
IT1000,RAD9600, KH250	08-1724																																																																																																																																																																													
KH-5	02-1704																																																																																																																																																																													
HMHC2230	08-1723																																																																																																																																																																													
HMHR1101	08-1700																																																																																																																																																																													
KH-6	02-1708																																																																																																																																																																													
KH-6 (Ign. Lever Knob)	02-1709																																																																																																																																																																													
OR-77	08-1724																																																																																																																																																																													
All Other Everglo & Similar Brands	07-1706																																																																																																																																																																													
MODEL #	PART #																																																																																																																																																																													
10.2, FH-11, KH-1, KH4,	01-1016																																																																																																																																																																													
PE-1, PE-12, PE-3	01-1016																																																																																																																																																																													
Wick Holder																																																																																																																																																																														
BT1000 ⁽¹⁹⁸⁶⁾ , CART100	NLA																																																																																																																																																																													
COM150, CT1100	NLA																																																																																																																																																																													
CT1400, K-10	NLA																																																																																																																																																																													
KH-5	02-1207																																																																																																																																																																													
KH-6	02-1206																																																																																																																																																																													
PE-12	07-1103																																																																																																																																																																													
PTE-4	07-1104																																																																																																																																																																													
Wick Stop Cam																																																																																																																																																																														
2609-58, 2612-32	06-9601																																																																																																																																																																													
2615-91	06-9602																																																																																																																																																																													
2616-58,2617-32,2619-91	06-9601																																																																																																																																																																													
Wire Net																																																																																																																																																																														
7.2, E720, FH-21, K-72	01-0307																																																																																																																																																																													
10.5, PTE-4, FH-31	01-0303																																																																																																																																																																													
K102, KH-7, PE-12	01-0303																																																																																																																																																																													
PE-2	01-0307																																																																																																																																																																													
FH-51	07-0301																																																																																																																																																																													
MODEL #	PART #																																																																																																																																																																													
Battery Case - all	04-2109																																																																																																																																																																													
Battery Case Cover - all	07-2401																																																																																																																																																																													
Drip Tray																																																																																																																																																																														
PTE-4 (brown)	07-5201																																																																																																																																																																													
PE-8	07-5202																																																																																																																																																																													
Igniter Knob																																																																																																																																																																														
CV Series	06-2305																																																																																																																																																																													
Ignition Lever																																																																																																																																																																														
PE-8	07-2201																																																																																																																																																																													
PE-12	07-2202																																																																																																																																																																													
Power Cord - PE-16	07-2601																																																																																																																																																																													
Reset Lever	04-3202																																																																																																																																																																													
All KeroHeat & Similar Brand																																																																																																																																																																														
Shaft Packing	06-9610																																																																																																																																																																													
All KeroHeat & Similar Brand																																																																																																																																																																														
Thumbscrew	05-9501																																																																																																																																																																													
PE-8																																																																																																																																																																														
Wing Nut	01-9401																																																																																																																																																																													
All Everglo & Similar Brands																																																																																																																																																																														
Wire Coil	04-0201																																																																																																																																																																													
All																																																																																																																																																																														

IF YOU DO NOT LOCATE YOUR HEATER MODEL OR PART - PLEASE CALL FOR ADDITIONAL ASSISTANCE.

Page 20 TO PLACE AN ORDER - 1-800-233-3202 • TECHNICAL SERVICE - 1-814-643-2299

www.worldmkting.com info@worldmkting.com